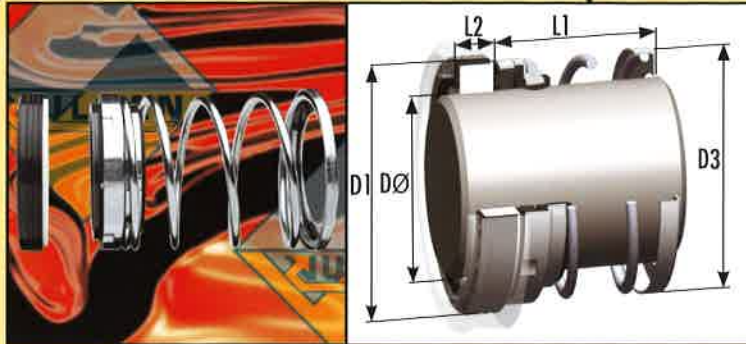




TYPES 10 / 20 (N10/ N20) - METRIC



Metric shaft size, resilient, single spring, rubber diaphragm seal with a Type 20 boot mounted stationary as standard, to suit original common UK housing sizes. A widely utilised seal type, highly suited to general duties, capable of long service life.

Also available with 'O'-Ring mounted Stationaries, as Types 10H and 20H, please refer to over-leaf. These Seals are increasingly preferred with a narrow profile and a resilient elastomer mounted face for improved performance and these are shown as Types N10 and N20.

VULCAN STANDARD SIZES

| Metric Shaft Size DØ | Size Code | D1 | D3 - 10/20 Standard Profile | D3 - N10/N20 Narrow Profile | TYPE 10/N10 L1 | TYPE 20/N20 L1 | L2 |
|----------------------|-----------|--------|-----------------------------|-----------------------------|----------------|----------------|-------|
| 10 | 0100 | 24.60 | 21.80 | 21.00 | 43.66 | 25.40 | 8.74 |
| 12 | 0120 | 27.79 | 23.50 | 22.00 | 43.66 | 25.40 | 8.74 |
| 13 | 0130 | 27.79 | 23.50 | 22.00 | 43.66 | 25.40 | 8.74 |
| 14 | 0140 | 30.95 | 27.00 | 24.00 | 43.66 | 25.40 | 10.32 |
| 15 | 0150 | 30.95 | 27.00 | 27.00 | 43.66 | 25.40 | 10.32 |
| 16 | 0160 | 30.95 | 27.00 | 27.00 | 43.66 | 25.40 | 10.32 |
| 18 | 0180 | 34.15 | 30.70 | 30.00 | 43.66 | 25.40 | 10.32 |
| 19 | 0191 | 34.15 | 30.70 | 30.00 | 43.66 | 25.40 | 10.32 |
| 20 | 0200 | 35.70 | 33.40 | 33.00 | 43.66 | 25.40 | 10.32 |
| 22 | 0220 | 37.30 | 33.40 | 33.00 | 43.66 | 25.40 | 10.32 |
| 24 | 0240 | 40.50 | 39.20 | 38.00 | 43.66 | 25.40 | 10.32 |
| 25 | 0250 | 40.50 | 39.20 | 39.00 | 43.66 | 25.40 | 10.32 |
| 28 | 0280 | 47.63 | 45.60 | 41.00 | 60.33 | 33.34 | 11.99 |
| 29 | 0290 | 47.63 | 45.60 | 43.00 | 60.33 | 33.34 | 11.99 |
| 30 | 0300 | 50.80 | 47.40 | 43.00 | 60.33 | 33.34 | 11.99 |
| 32 | 0320 | 50.80 | 47.40 | 45.00 | 60.33 | 33.34 | 11.99 |
| 33 | 0330 | 53.98 | 52.00 | 45.00 | 60.33 | 33.34 | 11.99 |
| 34 | 0340 | 53.98 | 52.00 | 48.00 | 60.33 | 33.34 | 11.99 |
| 35 | 0349 | 53.98 | 52.00 | 48.00 | 60.33 | 33.34 | 11.99 |
| 38 | 0381 | 57.15 | 55.60 | 52.00 | 60.33 | 33.34 | 11.99 |
| 40 | 0400 | 60.35 | 59.20 | 56.00 | 60.33 | 33.34 | 11.99 |
| 41 | 0410 | 60.35 | 59.20 | 56.00 | 60.33 | 33.34 | 11.99 |
| 42 | 0420 | 63.50 | 65.10 | 58.00 | 70.64 | 40.48 | 11.99 |
| 43 | 0430 | 63.50 | 65.10 | 58.00 | 70.64 | 40.48 | 11.99 |
| 44 | 0440 | 63.50 | 65.10 | 61.00 | 70.64 | 40.48 | 11.99 |
| 45 | 0450 | 63.50 | 65.10 | 61.00 | 70.64 | 40.48 | 11.99 |
| 48 | 0480 | 66.68 | 66.70 | 64.00 | 70.64 | 40.48 | 11.99 |
| 50 | 0500 | 69.85 | 71.00 | 66.00 | 70.64 | 40.48 | 13.50 |
| 53 | 0530 | 73.03 | 73.30 | 71.00 | 70.64 | 40.48 | 13.50 |
| 55 | 0550 | 76.20 | 78.60 | 71.00 | 70.64 | 40.48 | 13.50 |
| 58 | 0580 | 79.38 | 82.10 | 80.00 | 70.64 | 40.48 | 13.50 |
| 60 | 0600 | 79.38 | 82.10 | 80.00 | 70.64 | 40.48 | 13.50 |
| 63 | 0630 | 82.55 | 84.60 | 82.00 | 70.64 | 40.48 | 13.50 |
| 65 | 0650 | 92.08 | 88.60 | 84.00 | 69.85 | 49.21 | 15.88 |
| 70 | 0700 | 95.25 | 90.00 | 90.00 | 69.85 | 49.21 | 15.88 |
| 75 | 0750 | 101.60 | 102.70 | 96.00 | 73.03 | 52.39 | 15.88 |
| 80 | 0800 | 114.30 | 104.00 | 104.00 | 79.38 | 55.56 | 19.88 |
| 85 | 0850 | 117.48 | 108.00 | 108.00 | 79.38 | 55.56 | 19.88 |
| 90 | 0900 | 123.83 | 112.00 | 111.00 | 79.38 | 55.56 | 19.88 |
| 95 | 0950 | 127.00 | 119.00 | 119.00 | 82.55 | 58.74 | 19.88 |
| 100 | 1000 | 133.35 | 124.00 | 124.00 | 85.73 | 61.91 | 19.88 |

All types, sizes and materials shown are part of Vulcan's Guaranteed Ex-Stock Range, unless marked with an asterisk. However, the asterisked seal and / or seat face materials are stocked in many, but not all, sizes.

| GUARANTEED STOCK MATERIALS AND FACE MATERIAL CODE | | | | | |
|---|------|-------------------|------|-------------------|------|
| Seal And Seat Assembly | | Rotary Face | | Stationary Face | |
| Face Reference Term | Code | Material | Code | Material | Code |
| SOFT | C | M106K Carbon | C | 99% Ceramic | A |
| SOFT VS HARD | D | M106K Carbon | C | VES2 RB SiC | S |
| HARD VS SOFT | G | VES2 RB SiC | S | 99% Ceramic | A |
| HARD | S | VES2 RB SiC | S | VES2 RB SiC | S |
| HARD 1st ALT | H | Tungsten Carbide* | H | Tungsten Carbide* | H |

Guaranteed Stock Elastomers: Viton®, E.P. and Nitrile Guaranteed Stock Metallurgy: 304SS

Suggested Operating Limits

Maximum Operating Pressure Limits primarily depend on Face Materials, Shaft Size, Speed and Media. Please refer to the Seal Type Specific PV Chart, found at the front of this Brochure Section, in combination with the Vulcan Multiple Factors found in Technical and Material Standards Section.